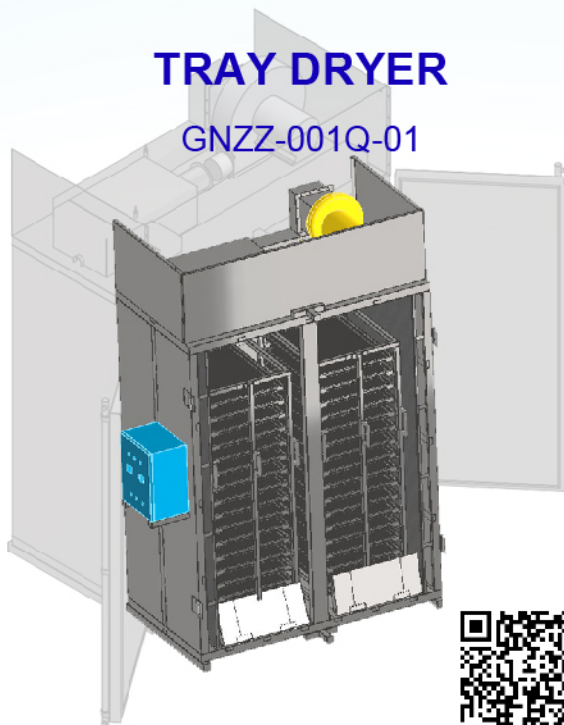




*Innovative Solutions, Premium Services.*

**TRAY DRYER**

GNZZ-001Q-01



Contact us:



*Innovative Solutions, Premium Services.*

**NGUYỄN THÀNH CHUÔNG**

*CEO / Chairman*

P: (+84) 983 772 533

E: chuong@qcm.com.vn

- ➡ - Closed circulation convection air drying system.
- There is a sensor to monitor the temperature of the drying air and return air.
- There are 32 trays, 16 trays/car.
- ➡ - There are 2 covers to completely insulated by fiberglass.
- The machine door has a sealing rubber.
- All parts are made of 304 stainless steels.

Heat source for calorife	6 drying resistors, the capacity of 2Kw/plant
Drying temperature	130 degrees C
Dimensions of each tray	700x500x40 mm, containing 3kg of seeds/tray
Exhaust fan blowing air	capacity 1.5Kw, flow 2000m <sup>3</sup> /h
Dimensions of the drying chamber	1500Dx850Rx1660C mm
Largest machine size	1600x950x2300 mm (L*W*H)
Input power	3 phase, 380V
Date of manufacture	10/2020

