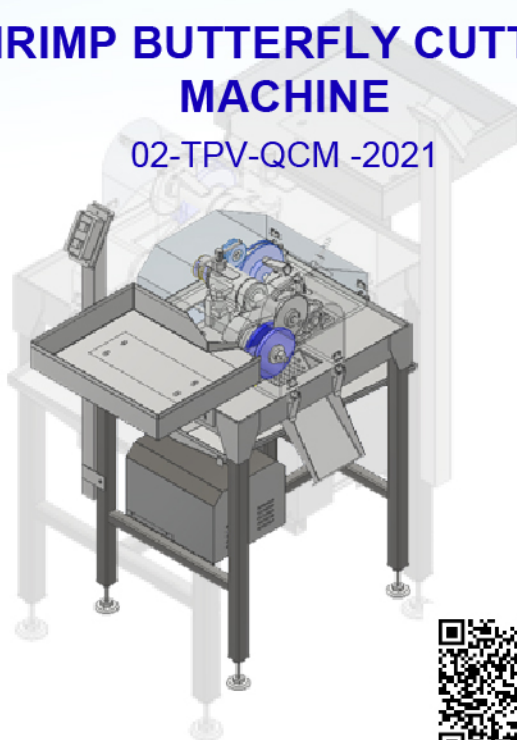




Innovative Solutions, Premium Services.

SHRIMP BUTTERFLY CUTTING MACHINE

02-TPV-QCM -2021



Contact us:



Innovative Solutions, Premium Services.

NGUYỄN THÀNH CHƯÔNG

CEO / Chairman

P: (+84) 983 772 533

E: chuong@qcm.com.vn

- ➔ - The equipment is used to split the back of shrimp with high productivity.
- Using a steel blade ensures sharpness when cutting shrimp and durability during use.
- Blade imported from Germany.

- ➔ - Integrated water nozzle at the position of the cutter, reducing the friction between the knife and shrimp to make the cut more beautiful.
- The machine is simple, compact, easy to use.
- Easy cleaning, maintenance and servicing.

Dimension	550x430x950 mm (L*W*H)
Electric power consumption	200 W
Input power	3 phase, 380V ± 10% + PE
Weight	50 Kg
Speed	6000 pcs/h (depends on worker)
Materials	Inox 304, PO plastic, PA
Motor	DKM 200W xuất xứ Hàn Quốc
Date of manufacture	12/2021

