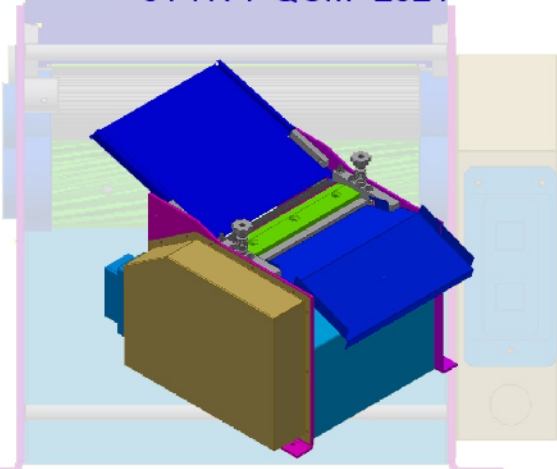




Innovative Solutions, Premium Services.

FISH SKINNING MACHINE

01-HVT-QCM -2021



Contact us:



Innovative Solutions, Premium Services.

NGUYỄN THÀNH CHƯÔNG

CEO / Chairman

P: (+84) 983 772 533

E: chuong@qcm.com.vn

- ➔ - The fish skinning machine is widely applied to skinned catfish, thin-skinned fish, other fish...
 - The fish skin slicer blade can be simply adjusted to suit the thickness and thinness of each type of fish skin.
 - The machine has a water supply system to assist in the easy skinning process.
 - Machine structure with simple details, easy to use and clean after every shift, safe and reliable with stable performance.

- ➔ - Machine fixing frame is SUS304, sturdy box with tool tray and cover SUS 304.
 - The machine has wheels and raised feet for convenient movement and height adjustment.

Dimension	775x742x945 mm (L*W*H)
Electric power consumption	0.75 kW
Input power	1 phase, 220V ± 10%, cover inox 304
Fish skin peeling shaft speed	90 rpm
Date of manufacture	07/2021

